



## Excavator SWE 155F



Operating Weight	15.6t
Engine Power	93kW/2200rpm
Engine Brand	Cummins
Standard Bucket Capacity	0.61m <sup>3</sup>
Max. Digging Depth	5525mm

### Excavator SWE155F

#### Parameter

##### ENGINE

Brand	Cummins
Model	QSF3.8
Type	4-cylinder, 4-stroke, water cooled, turbocharged
Displacement	3.8L
Power	93kW/2200rpm

##### ELECTRIC SYSTEM

Nominal Voltage	24V
Batteries	120Ah
Alternator	24V-70A
Starter	24V-4.8Kw

##### DRIVE

Max. Travel Speed (2nd/1st)	5.3/3.2km/h
Gradeability	35°
Max. Traction	115kN

##### UNDERCARRIAGE

Length to center of rollers	3000mm
Track length	3765mm
Track gauge	2000mm
Undercarriage Width	2600mm
Track shoe width	600mm

##### DIMENSIONS

Counterweight Clearance	940mm
Tail Swing Radius	2355mm
Shipping Length	7825mm
Shipping Width	2600mm
Shipping Height	2825mm

##### WORKING RANGES

Max. Cutting Height	8700mm
Max. Loading Height	6200mm
Max. Digging Depth	5525mm
Max. Vertical Wall Digging Depth	5000mm
Max. Digging Reach	8370mm
Max. Digging Reach (Ground)	8225mm
Bucket Digging Force	100kN
Stick Digging Force	76kN
Ground Pressure	36.8kPa
Swing Speed	11rpm

##### CAPACITY

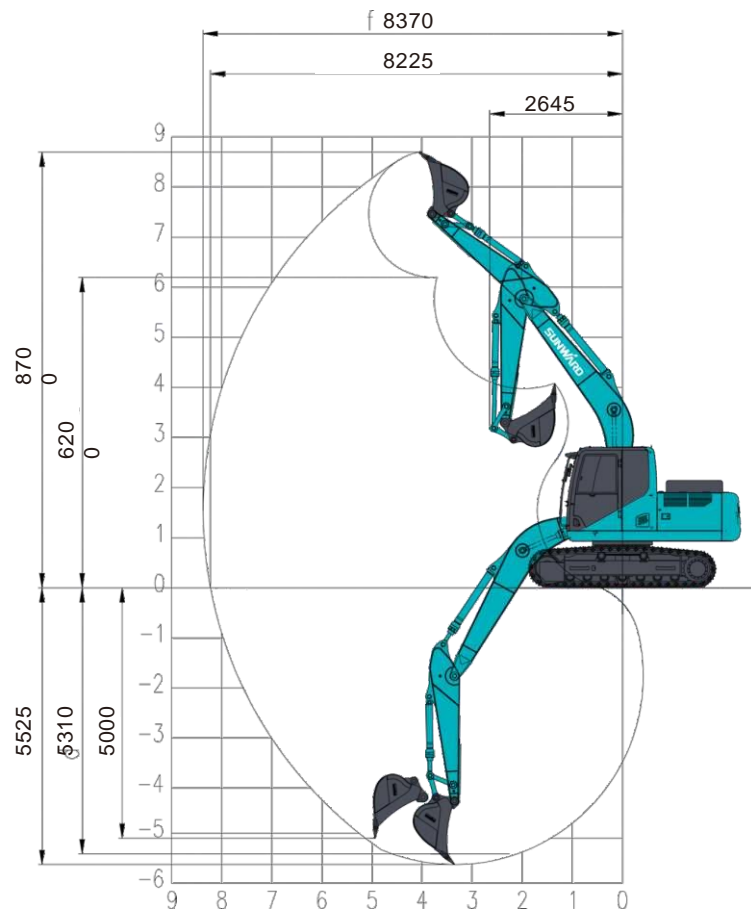
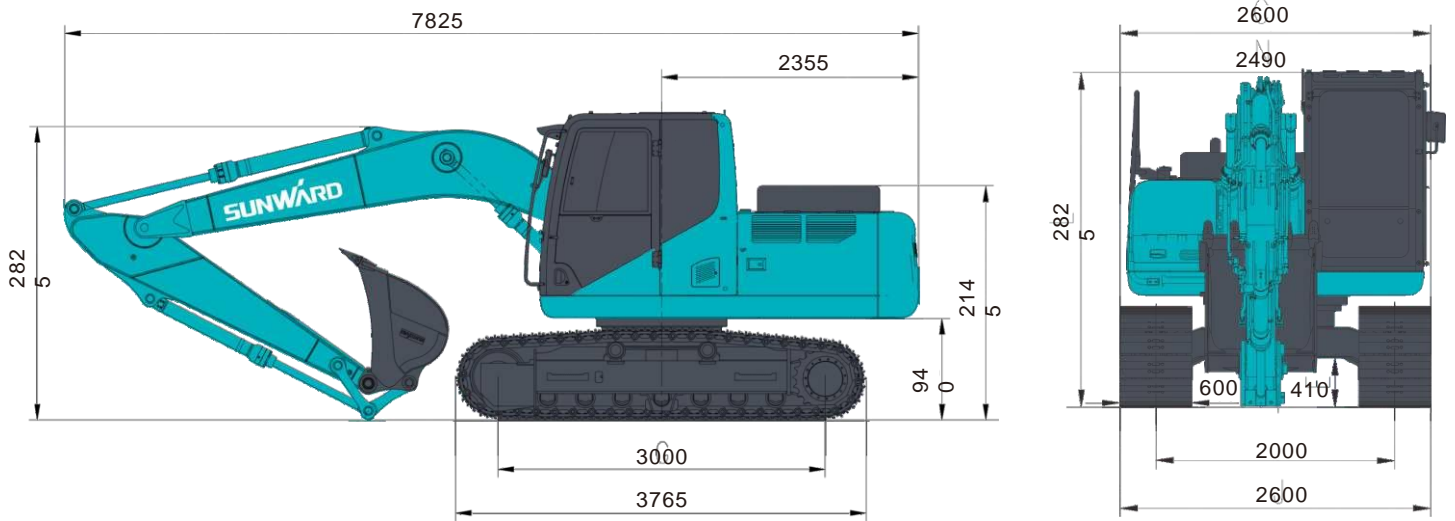
Fuel Tank	245L
Hydraulic Tank	150L

##### HYDRAULIC SYSTEM

Main Pumps	
Type	2 piston pumps
Displacement	2x126.4 L/min
Working Pressure	31.4/34.3 MPa

# Excavator SWE 155F

## Working Ranges



COMPTOIR LAURENT MATERIEL  
185 Rue Famille Laurens  
Z.I. Les Milles  
13854 AIX-EN-PROVENCE  
T 04.90.71.82.45 / 04.86.91.58.18  
clmsarl@orange.fr

Votre spécialiste du matériel de travaux publics, voirie, agricole et forestier